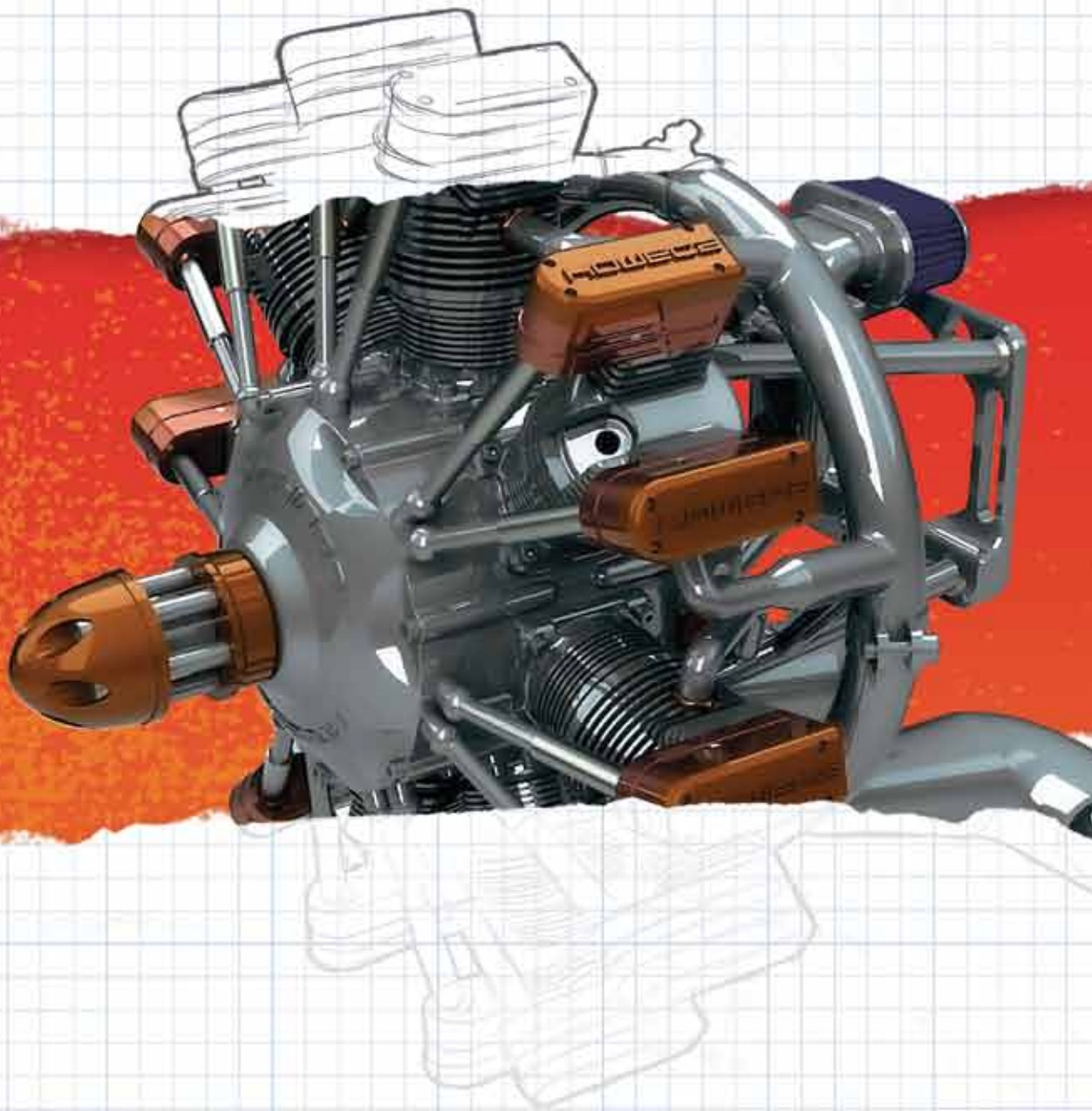


# SolidWorks

INTUITIVE SOLUTIONS FOR ALL ASPECTS OF YOUR DESIGN PROCESS



智誠科技有限公司

Intelligent CAD/CAM Technology Ltd.



Authorized  
Reseller

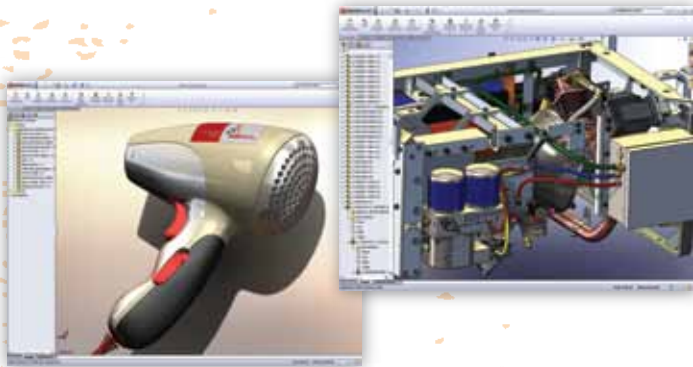
# SolidWorks Premium

Design that drives your business



SolidWorks Premium 2012 is a comprehensive 3D design solution that enables you to create, validate, communicate, and manage your product designs. By integrating powerful design tools, including industry-leading part, assembly, and drawing capabilities, with built-in simulation, costing, rendering, animation, and product data management, SolidWorks Premium makes the development and sharing of design ideas faster, simpler, and smarter.

By providing application-specific tools for sheet metal, weldments, routed systems, surfacing, and mold and die design, as well as an extensive component parts library, SolidWorks Premium 2012 helps you work more efficiently and make better design decisions throughout your product development process.



Create any shape desired  
advanced surfacing



Add shadows and  
reflections to your  
renderings

## SolidWorks Functions

- Learn fast
- Work fast
- Part and assembly modeling
- Design reuse and automation
- Design for manufacturability
- Data output to manufacturing
- Eliminate interferences
- Intelligent design and detailing capabilities
- Animations and photorealistic renderings
- Sustainability
- Motion simulation
- Structural validation
- Cost estimation
- Routed Systems
- 2D drawings
- Data exchange
- Collaboration tools
- Fluid flow simulation
- Product Data Management



<b>SolidWorks Premium</b>					
ScanTo3D	SolidWorks Routing	TolAnalyst	SolidWorks Simulation	SolidWorks Motion	CircuitWorks
<b>SolidWorks Professional</b>					
<b>SolidWorks Standard</b>					
SolidWorks	2D Editor	Motion Animator	Simulation-Xpress	Sustainability Xpress	
FloXpress	DriveWorks Xpress	DFMXpress	RealView		
			<b>SolidWorks Utilities</b> <b>eDrawings Professional</b> <b>Toolbox</b> <b>FeatureWorks</b> <b>3D Instant Website</b> <b>PhotoView 360</b> <b>Design Checker</b> <b>Task Scheduler</b> <b>Workgroup PDM</b>		

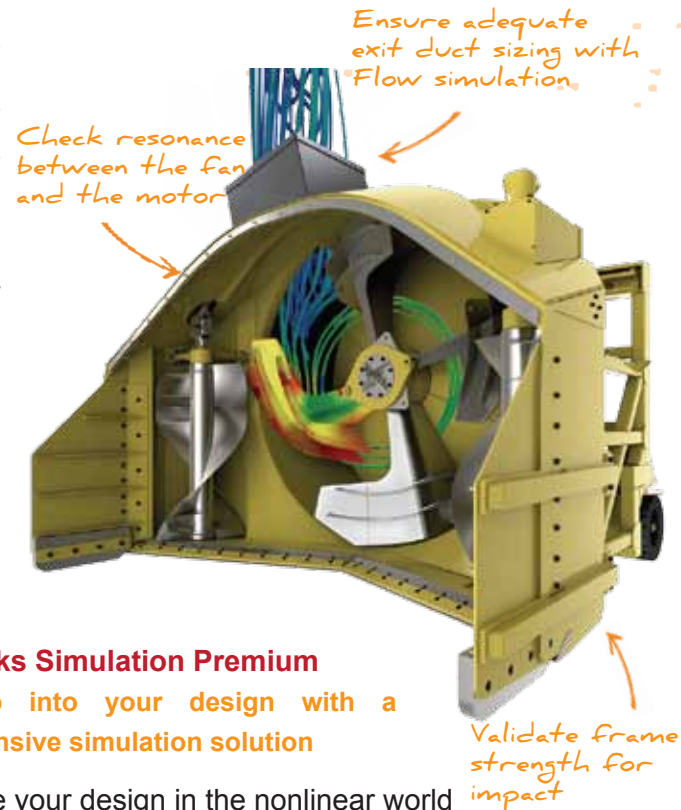
# SolidWorks Simulation

Drive market-winning innovation, without risk



With SolidWorks Simulation you reduce the risk of exploring new and innovative design solutions, and get products to market faster—and with less prototyping. By understanding the product performance early in the design process, costly over-design is avoided and the risk of warranty claims reduced.

SolidWorks Simulation provides a complete range of tools for analyzing the structure, motion, and multi-physics of your parts and assemblies, or exploring fluid dynamics and heat flow around and through your design. You can predict the performance of your design under real-world operating conditions to detect problems and correct them before prototyping, tooling, and production.



## SolidWorks Simulation Professional

Perform virtual testing and analysis of parts and assemblies

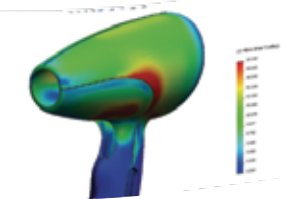
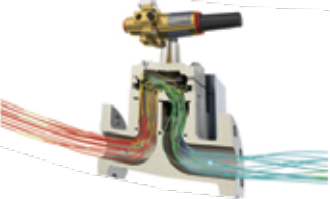
- Understand the effects of temperature changes on parts and assemblies
- Analyze assembly motion for process and task workflow with event-based simulation
- Study the effects of cyclic loading on product life
- Simulate vibration or buckling in your designs

## SolidWorks Simulation Premium

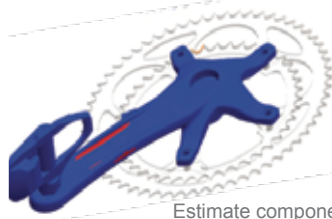
See deep into your design with a comprehensive simulation solution

- Analyze your design in the nonlinear world
- Perform dynamic analyses of parts and assemblies
- Simulate composite materials
- Easily tackle complex problems with the 2D planar simplification tool

Examine complex flow in and around components to detect turbulence and recirculation issues and determine flow conditions

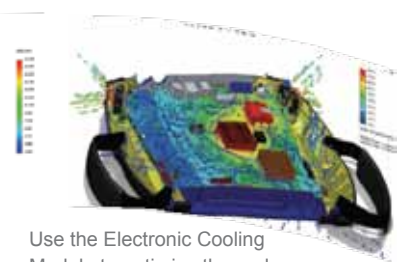


Determine the structural impact of thermal loads on your design



Estimate component life based on calculated or SolidWorks Motion loads

Study nonlinear problems that involve large displacement and complex material models



Use the Electronic Cooling Module to optimize thermal performance of PCBs

## SolidWorks Motion

Help improving the kinematics of your design

- Adjust motor/actuator dimensions
- Determine power consumption
- Design coordinated layout
- Simulate cam/gear motion
- Understand gear transmission
- Adjust spring/shock absorber

## SolidWorks Flow Simulation

Thorough liquid and gas analysis made easy

- Inspect and optimize complex flows
- Reduce the risk of overheating phenomena in your designs
- Optimize the thermal performance of your PCBs and electronic components
- Predict and optimize airflow and comfort parameters in working and living environments

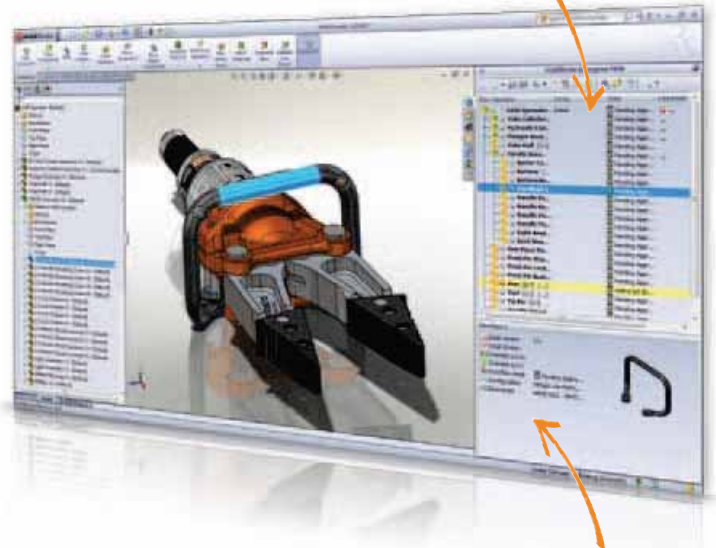
# SolidWorks Enterprise PDM



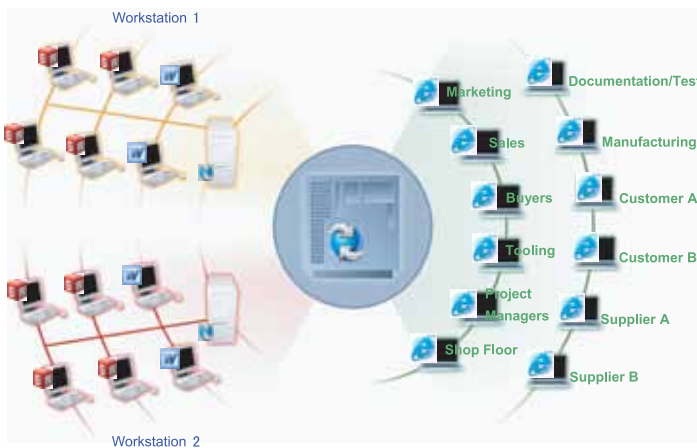
Take control of your data to enhance collaboration and innovation

SolidWorks Enterprise PDM (EPDM) manages and synchronizes design data across your product development team with a single, easily deployable solution that is tightly integrated with SolidWorks applications. You extend the reach of your 3D design—locally or remotely, from engineering through manufacturing—to share information, collaborate on designs, and automatically protect design data with integrated tracking and version control.

Quickly view current file status using the Task Pane integration



information on selected component displays in preview area



EPDM centralizes the storage of all your engineering data and related files to dramatically reduce the time you spend searching for parts, assemblies, and drawings, while also helping you drive design reuse. EPDM provides a central, indexed repository for fast information retrieval. It offers version control for minor changes and major design revisions to prevent data loss, and integrates workflows to automate your design process for more efficient review and release of final designs.

## EPDM Features

- Rapidly find data and control access
- Implement and scale quickly
- Get productive fast
- Streamline essential processes
- Collaborate without boundaries

convenient drag-and-drop controls



configurable "states" easily capture company processes



# 3DVIA Composer

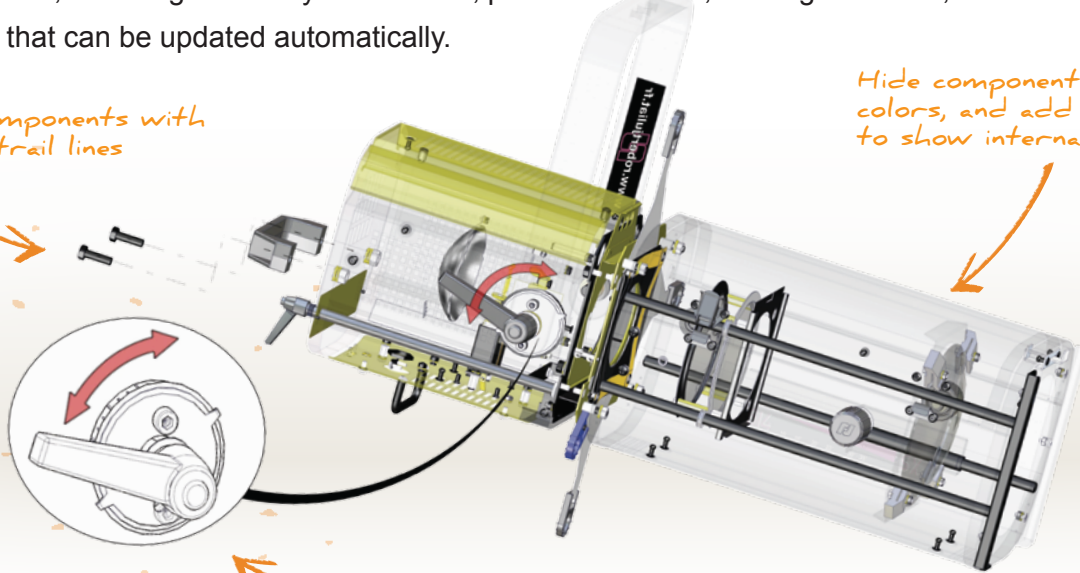


Add a new dimension to your technical communications

3DVIA Composer helps your organization, including non-technical users, leverage 3D CAD data to create dynamic graphical content that clearly and effectively depicts even your most complex products. The simple, intuitive interface gives you the tools to easily develop informative graphics for a broad range of technical communications, including assembly instructions, product manuals, training materials, and marketing collateral, with content that can be updated automatically.

Explode components with associated trail lines

Hide components, change colors, and add transparency to show internal details



Highlight critical details and annotations

Using the intuitive interface of 3DVIA Composer, you can create highly detailed graphics with precise control to highlight areas of interest and to focus on specific components. You can just as easily output 3D animations for interactive training manuals or more compelling marketing presentations. Because 3DVIA Composer is associative, any changes you make to the CAD models can automatically be updated in your technical communication deliverables. For the first time, you can get products to market faster with the assurance that your documentation is both high-quality and accurate.

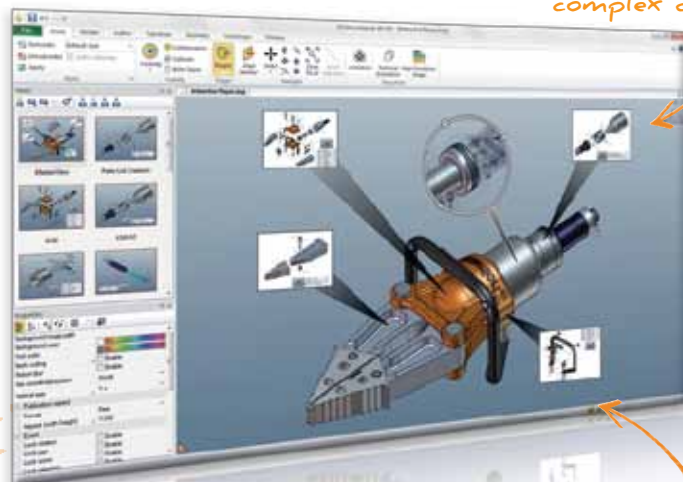
With 3DVIA, you can:

- Enhance product communication and marketing collateral
- Win more business
- Get products to market faster
- No CAD knowledge required

With 3DVIA, you can quickly and easily create:

- Detailed views
- High-resolution images
- Technical illustrations
- Interactive animations
- Interactive bill of materials and parts lists
- And much more...

Create interactive links to quickly view complex details



Highlight the assembly procedures for commonly replaced components

# SolidWorks Subscription Service

Optimize your investment in SolidWorks



Give your design team the tools and resources they need to work faster and smarter. As a SolidWorks® Subscription Service Program member, you receive automatic upgrades to the latest versions of SolidWorks software, live technical support from ICT, as well as requested software enhancements. The SolidWorks Subscription Service Program lets you focus on what matters most—transforming your product development into business success.

To maximize your current and future opportunities, it's paramount to maintain an up-to-date design and development environment that keeps you competitive and improves operational efficiency. The SolidWorks Subscription Service Program offers a smart, flexible way to protect your investment in SolidWorks solutions.

## SolidWorks Subscription Services:

- Technical support
- SolidWorks Customer Portal
  - Service Requests (SRs)
  - Software Performance Reports (SPRs)
  - Knowledge Base
  - Enhancement Requests
  - Technical content
  - Discussion forums
- Software upgrades
- New software releases
- Support for previous version
- CSWP and CSWA exams
- Customer experience programs

## Benefits from the Subscription:

- Stay ahead of the competition
- Stay productive
- Stay knowledgeable
- Stay current
- Extensive 2D and 3D content
- Special privileges

## ICT Value-added Services:

- On-site or remote support
- Certified training course
- Free Seminars
- Trans-territorial services
- Discount on various items
- Training DVD
- Tailor-made API Programming and Re-development

SolidWorks Professional  
Certificates obtained by ICT



智誠科技有限公司

Intelligent CAD/CAM Technology Ltd.

[www.ict.com.hk](http://www.ict.com.hk) / [www.ict-sz.com.cn](http://www.ict-sz.com.cn)

[ictinfo@ict.com.hk](mailto:ictinfo@ict.com.hk)

Hong Kong Headquarter:  
Unit 216-217, 2/F, Photonics Centre, No. 2 Science Park East  
Avenue, Hong Kong Science Park, Shatin, N.T., Hong Kong  
Tel: (852) 2425 8136 Fax: (852) 2425 8098

Shenzhen Branch:  
Rm1316 Block B, Jazz Bldg, 4018 Jiabin Rd,  
Luohu, Shenzhen, PRC (Zip code: 518026)  
Tel: (86 755) 8290 0794 Fax: (86 755) 8295 1453

Guangzhou Branch:  
Room 1205, Block A, China Shine Plaza, 9 Lin He Xi  
Road, Guangzhou, PRC (Zip code: 510610)  
Tel: (86 20) 3801 1593 Fax: (86 20) 3801 1595

Suzhou Branch:  
Room 616, Gold River International Center, 88  
Shishan Road, Suzhou, PRC (Zip code: 215011)  
Tel: (86 512) 6818 7309 Fax: (86 512) 6818 7310

Dongguan Branch:  
Room 1803, Block A, Fortune Plaza, Intersection of Hongfu Road and Yuanmei  
Road, Nancheng, Dongguan, Guangdong, PRC (Zip code: 523073)  
Tel: (86 769) 2202 6215 Fax: (86 769) 2202 6002